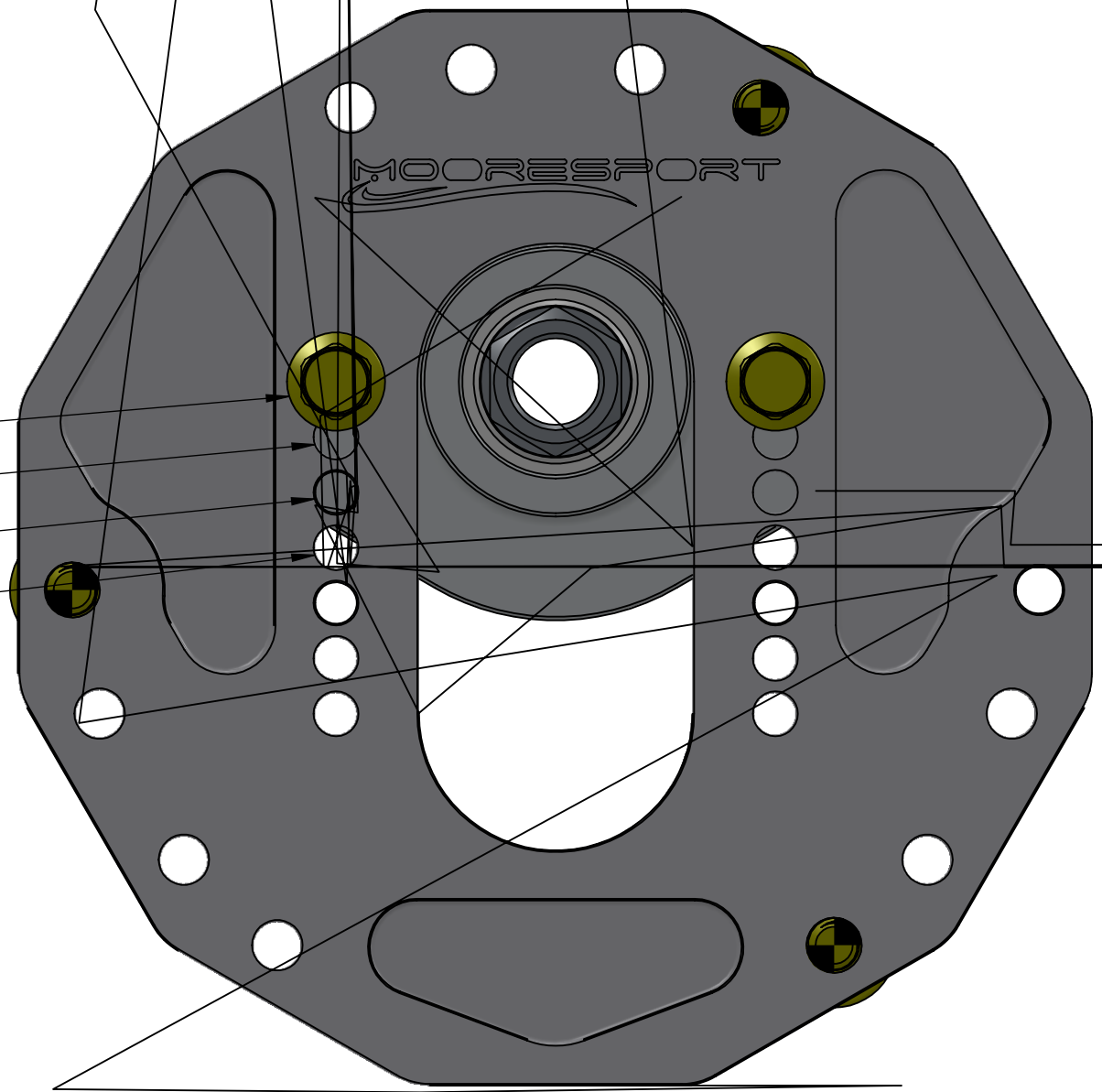


**INSTALLATION
IN CAMBER ONLY
POSITION**

180
140
100
60
20

CAMBER ADJUSTMENT

- MAX -2.70°
- 2.00°
- 1.25°
- OEM -0.50°**



****Measures Based on Stock GD STI**

THE INFORMATION CONTAINED IN THIS DRAWING IS THE SOLE PROPERTY OF MSI (Moore-Sport INC). ANY REPRODUCTION IN PART OR AS A WHOLE IS STRICTLY PROHIBITED.



PLATE MOUNTED IN RH GD AT MAXIMUM CAMBER POSITION

CAR MODEL	GC, GD & BRZ	CONFIGURATION:	ASSEMBLY:	REV	19/05/2016
APPLICATION	Street	As Installed	MSIsub02-18-001-KW	3	SHEET 4 OF 4

260 220 180 140 100 60 20