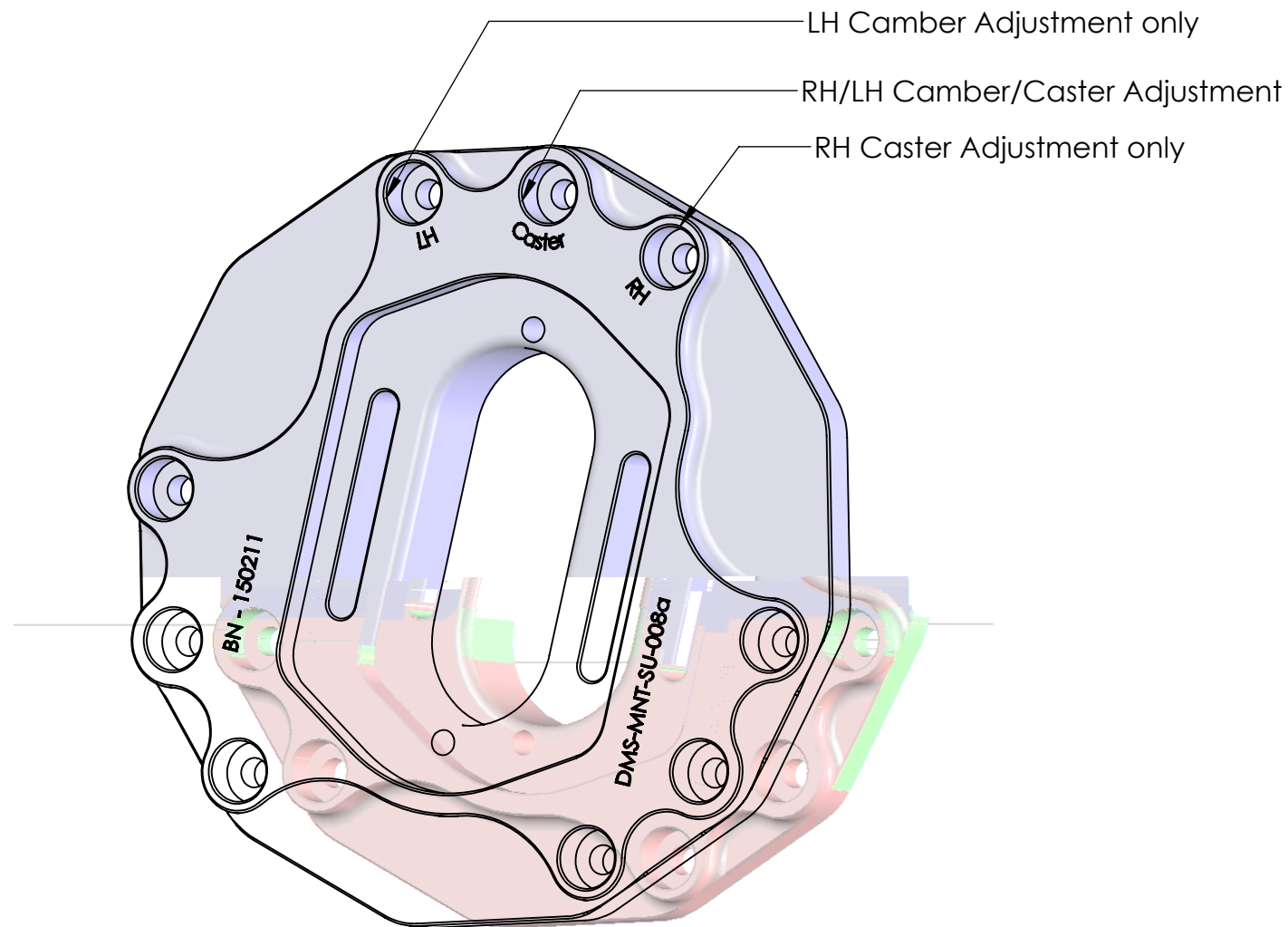


# INSTALLATION INSTRUCTIONS



**Compatible with Impreza 2008+ and Legacy 2001+**

THE INFORMATION CONTAINED IN THIS DRAWING IS THE SOLE PROPERTY OF MSI (Moore-Sport INC). ANY REPRODUCTION IN PART OR AS A WHOLE IS STRICTLY PROHIBITED.

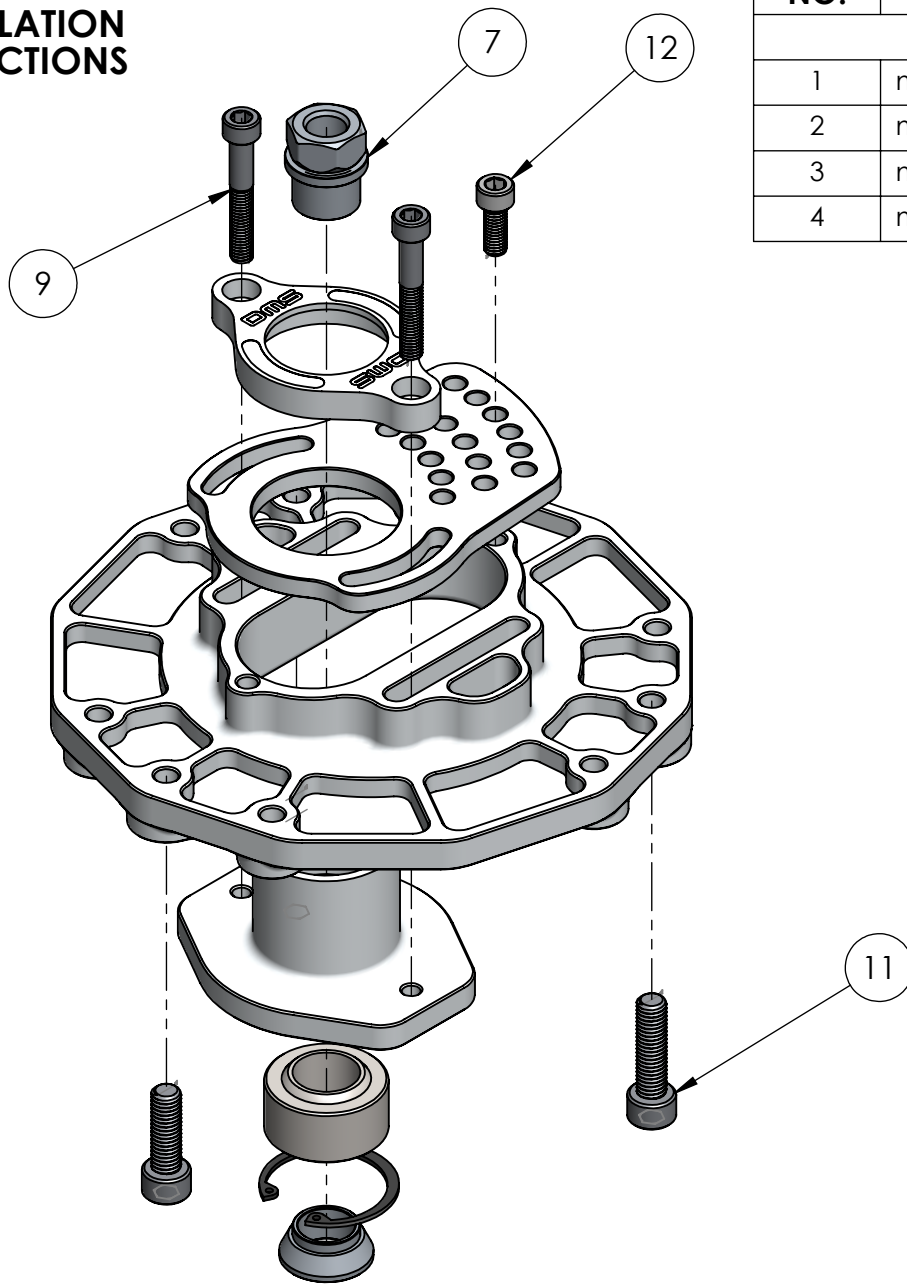


Motorsport Topmount GR Subaru

CAR MODEL	GR Subaru	CONFIGURATION:	ASSEMBLY:	REV	27/04/2015
APPLICATION	Street / Motorsport	<b>As Machined</b>	<b>DMS-MNT-SU-008a</b>	<b>3</b>	SHEET 2 OF 6

260 220 180 140 100 60 20

# INSTALLATION INSTRUCTIONS



NO.	DESCRIPTION	Nm	Ft/Lb
<i>( please use a temporary thread retainer such as Loctite #609)</i>			
1	m12 Tube Nut to shock pin	47	35
2	m8 SS Cap Screw to mounting plate	18	13
3	m6 aduster plate lock bolt	7	5
4	m6 bearing housing bolt	7	5

THE INFORMATION CONTAINED IN THIS DRAWING IS THE SOLE PROPERTY OF MSI (Moore-Sport INC). ANY REPRODUCTION IN PART OR AS A WHOLE IS STRICTLY PROHIBITED.



## GR Topmount

CAR MODEL Subaru Impreza < 2007

CONFIGURATION:

ASSEMBLY:

APPLICATION Street / Motorsport

**LH Assembly**

**DMS-MNT-su-008**

REV

**3**

07/06/2016

SHEET 3 OF 6

260

220

180

140

100

60

20

180

140

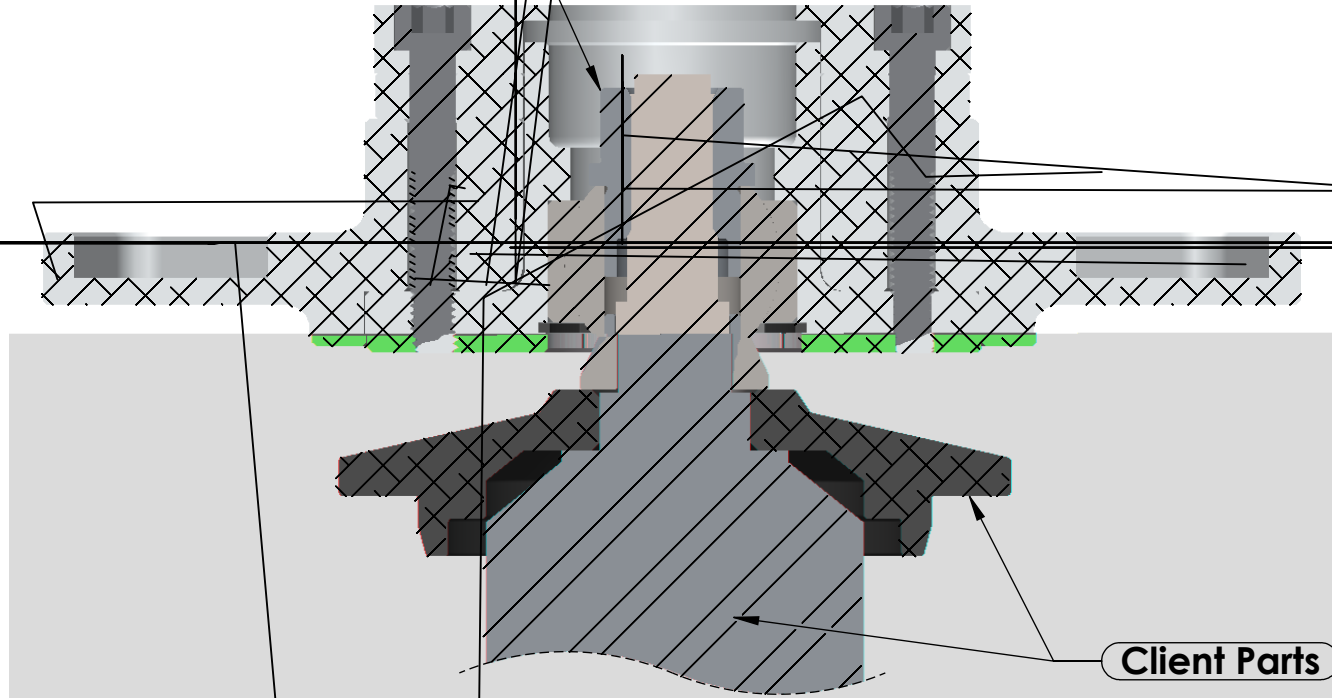
100

60

20

# INSTALLATION INSTRUCTIONS

**APPLY RETAINING COMPOUND  
(LOCTITE 609 P.N: 60905)  
TO TUBE NUT THREADS.  
TORQUE TO 35 ft. lbs. (47 Nm)**



THE INFORMATION CONTAINED IN THIS DRAWING IS THE SOLE PROPERTY OF MSI (Moore-Sport INC). ANY REPRODUCTION IN PART OR AS A WHOLE IS STRICTLY PROHIBITED.



## GR Topmount

CAR MODEL	Subaru Impreza < 2007
APPLICATION	Street / Motorsport

CONFIGURATION:  
**With Strut**

ASSEMBLY:  
**DMS-MNT-su-008a**

REV **3**

07/06/2016  
SHEET 4 OF 6