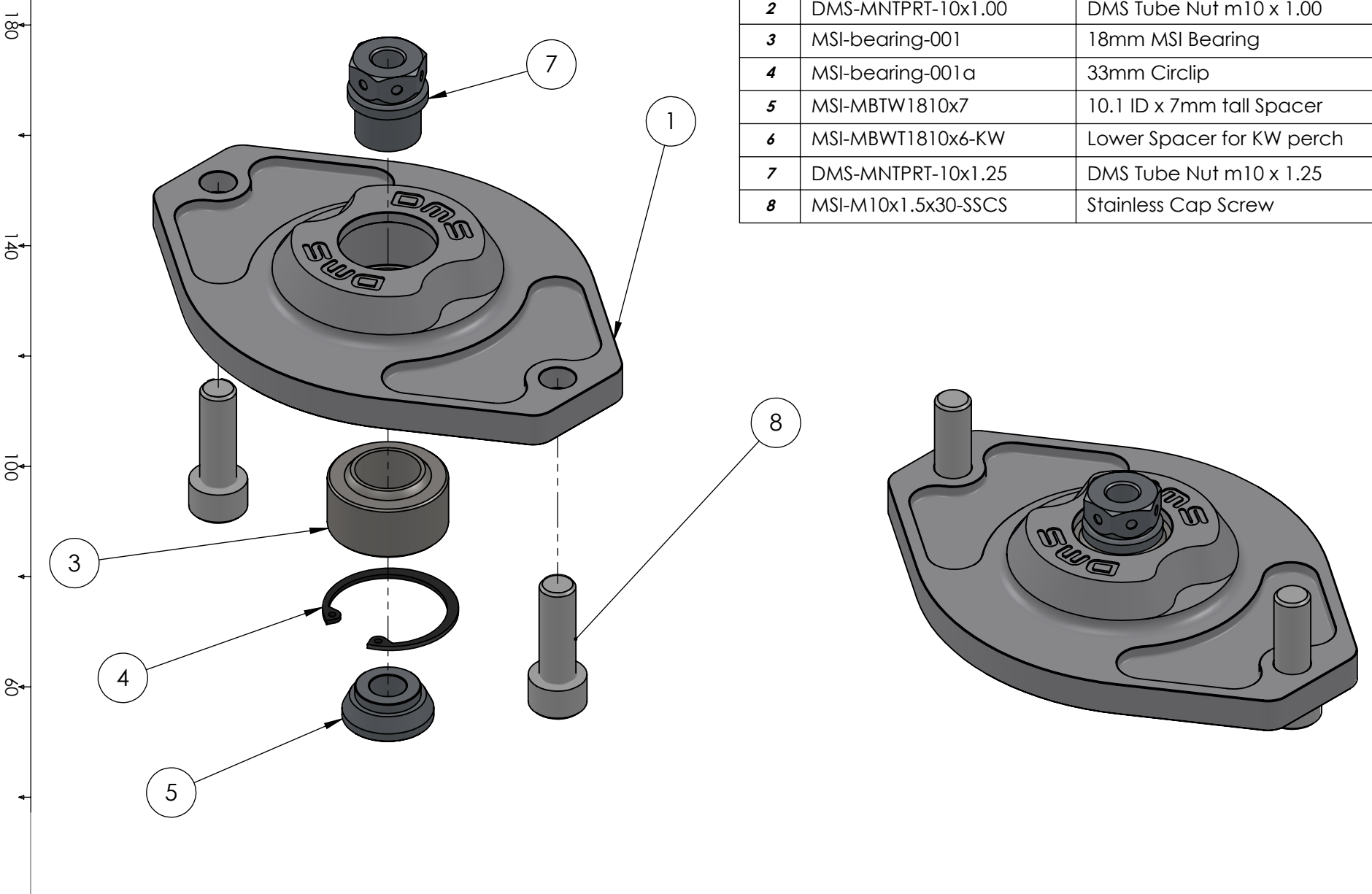


BOM FOR ASSEMBLY

NO.	PART NUMBER	DESCRIPTION	QTY.
1	DMS-mnt-su-009a	Solid Rear Base Plate	2
2	DMS-MNTPRT-10x1.00	DMS Tube Nut m10 x 1.00	2
3	MSI-bearing-001	18mm MSI Bearing	2
4	MSI-bearing-001a	33mm Circlip	2
5	MSI-MBTW1810x7	10.1 ID x 7mm tall Spacer	2
6	MSI-MBWT1810x6-KW	Lower Spacer for KW perch	2
7	DMS-MNTPRT-10x1.25	DMS Tube Nut m10 x 1.25	2
8	MSI-M10x1.5x30-SSCS	Stainless Cap Screw	4



THE INFORMATION CONTAINED IN THIS DRAWING IS THE SOLE PROPERTY OF MooreSport Inc. ANY REPRODUCTION IN PART OR AS A WHOLE IS STRICTLY PROHIBITED.



Subaru GR / BRZ Rear Top Plate

CAR MODEL	Subaru GR/ BRZ	ASSEMBLY:
APPLICATION	Street / Motorsport	

DMS-mnt-su-009

REV **3**

3/3/2017
SHEET 1 OF 3