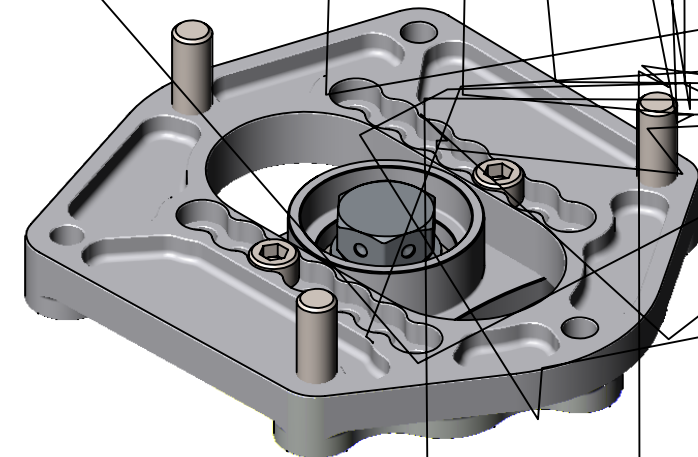
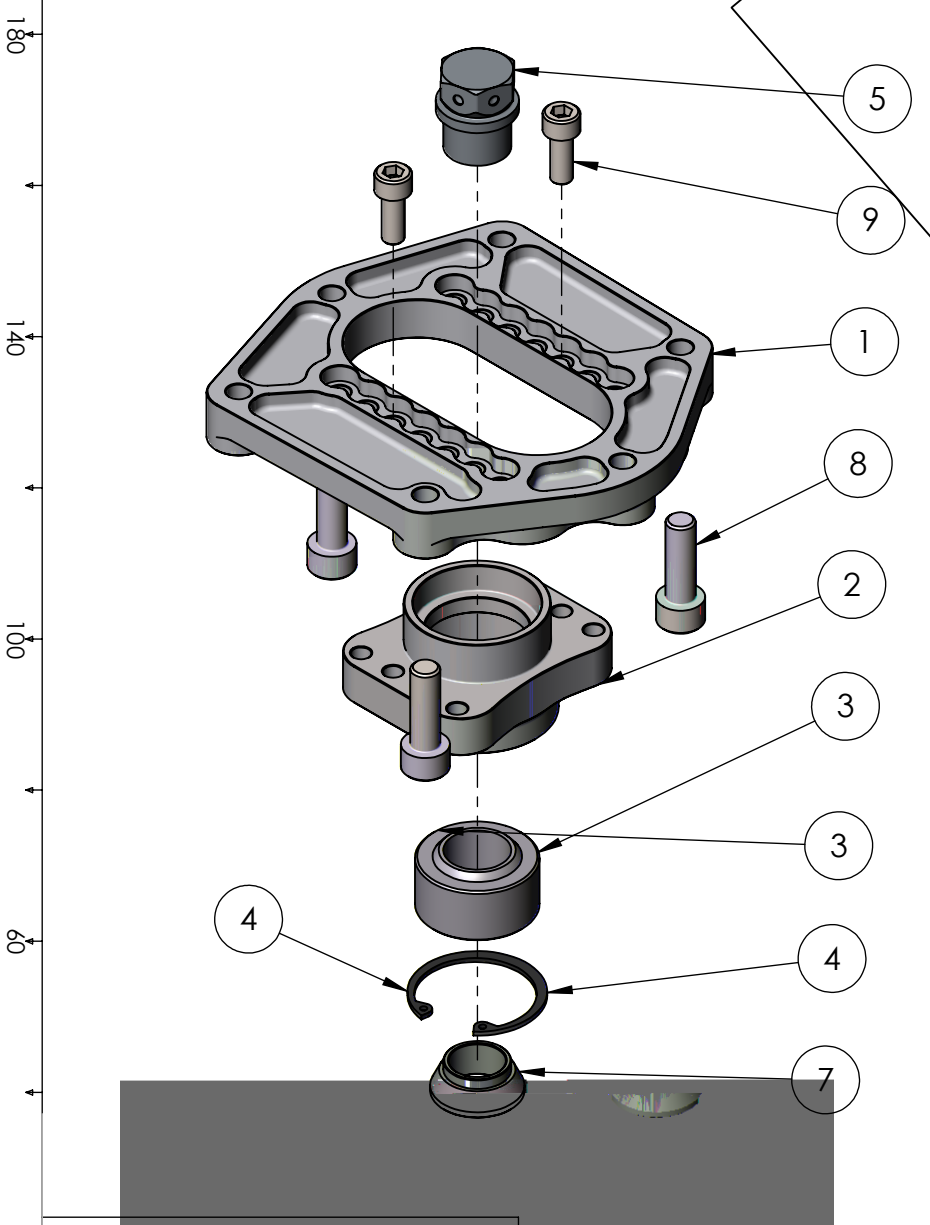


BOM FOR ASSEMBLY

NO.	PART NUMBER	DESCRIPTION	QTY.
1	DMS-mnt-su-002a	Rear Motorsport Base Plate	2
2	DMS-mnt-2pcs-001a	2pcs Bearing Housing	2
3	MSI-bearing-001	18mm MSI Bearing	2
4	MSI-bearing-001a	33mm Circlip	2
5	DMS-MNTPRT-12x1.25	M12 x 1.25 Tube Nut	2
6	DMS-MNTPRT-14x1.50	M14x1.5 Tube Nut	2
7	DMS-mntprt-15-001	Std 15.1mm x 7mm tall ferrule	2
8	MSI-M8x1.25x25-SSCS	M8 x 25mm SS Cap Screw	6
9	MSI-M6x1.0x16-SSCS	M6 x 16mm SS Cap Screw	4



THE INFORMATION CONTAINED IN THIS DRAWING IS THE SOLE PROPERTY OF MSI (Moore-Sport INC). ANY REPRODUCTION IN PART OR AS A WHOLE IS STRICTLY PROHIBITED.

Rear adjustable camber plate

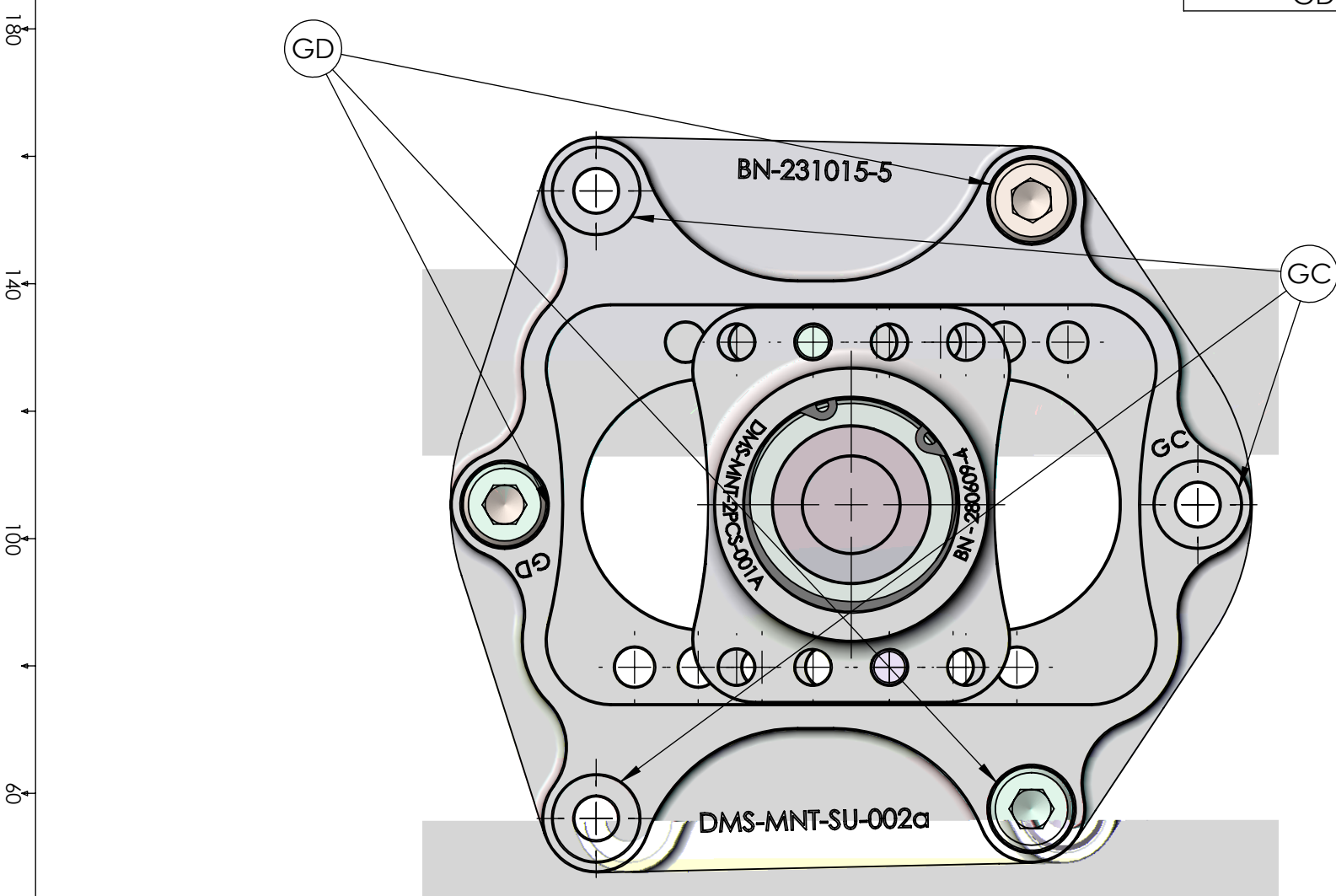


CAR MODEL	Impreza 93-2007	CONFIGURATION:	ASSEMBLY:	REV	6/2/2017
APPLICATION	Street / Motorsport	BOM Assembly		5	SHEET 1 OF 4

260 220 180 140 100 60 20

Compatibility

MODEL YEARS	
GC	1992-2000
GD	2000-2007



THE INFORMATION CONTAINED IN THIS DRAWING IS THE SOLE PROPERTY OF MooreSport Inc. ANY REPRODUCTION IN PART OR AS A WHOLE IS STRICTLY PROHIBITED.



Rear adjustable camber plate

CAR MODEL	Impreza 93-2007
APPLICATION	Street / Motorsport

ASSEMBLY:

DMS-mnt-su-002

REV **5**

6/2/2017
SHEET 3 OF 4

