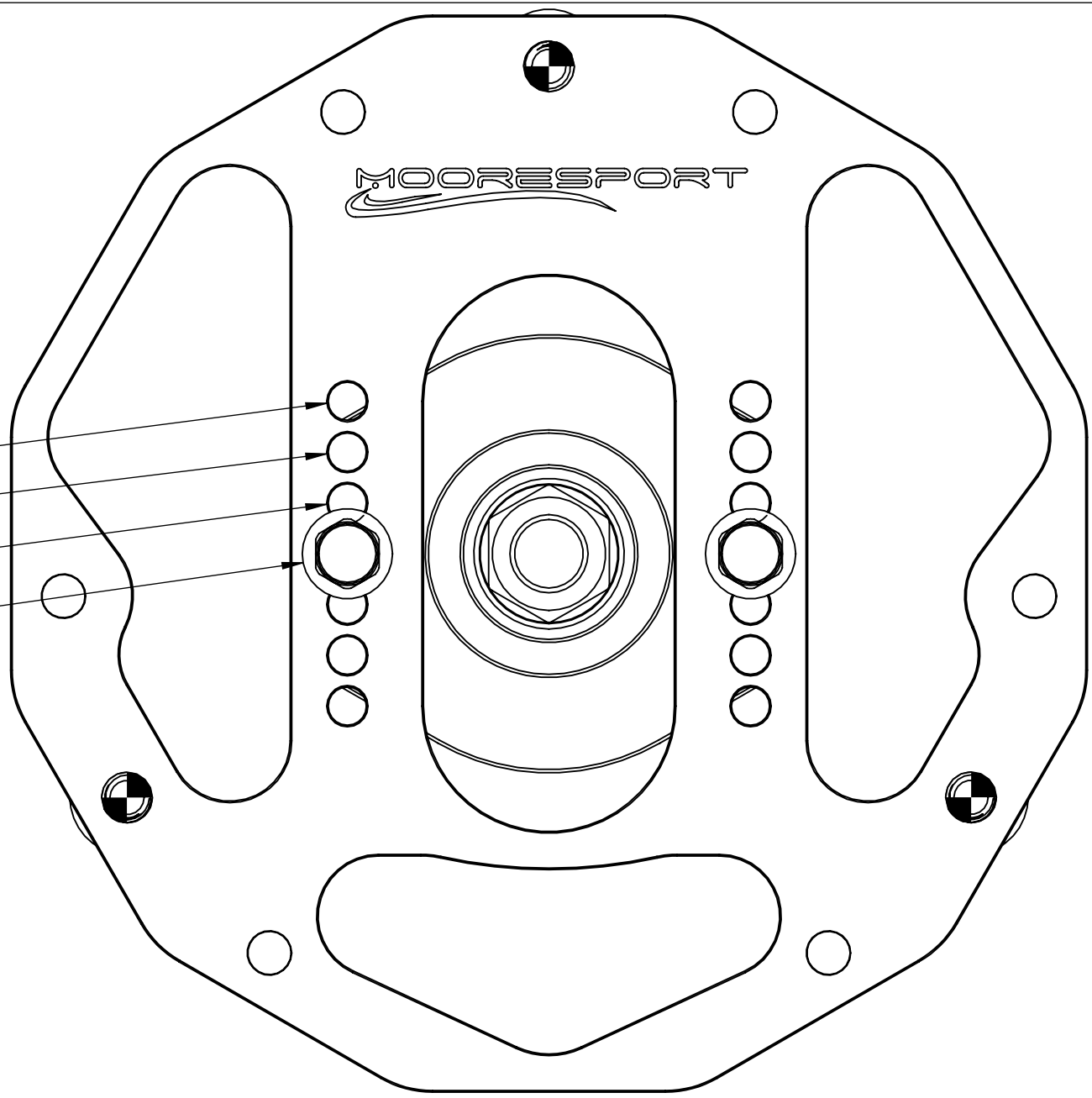


**INSTALLATION  
IN CAMBER ONLY  
POSITION**

180  
140  
100  
60  
20



**CAMBER ADJUSTMENT**

- MAX -2.70°
- 2.00°
- 1.25°

**OEM -0.50°**

**\*\*Measures Based on Stock GR STI**

THE INFORMATION CONTAINED IN THIS DRAWING IS THE SOLE PROPERTY OF MSI (Moore-Sport INC). ANY REPRODUCTION IN PART OR AS A WHOLE IS STRICTLY PROHIBITED.



PLATE MOUNTED IN LH/RH GR AT OEM CAMBER POSITION

<b>CAR MODEL</b>	GR	<b>CONFIGURATION:</b>	<b>ASSEMBLY:</b>	<b>REV</b>	10-May-16
<b>APPLICATION</b>	Street	<b>As Installed</b>	<b>MSIsub02-19-001</b>	<b>3</b>	SHEET 4 OF 4

260 220 180 140 100 60 20