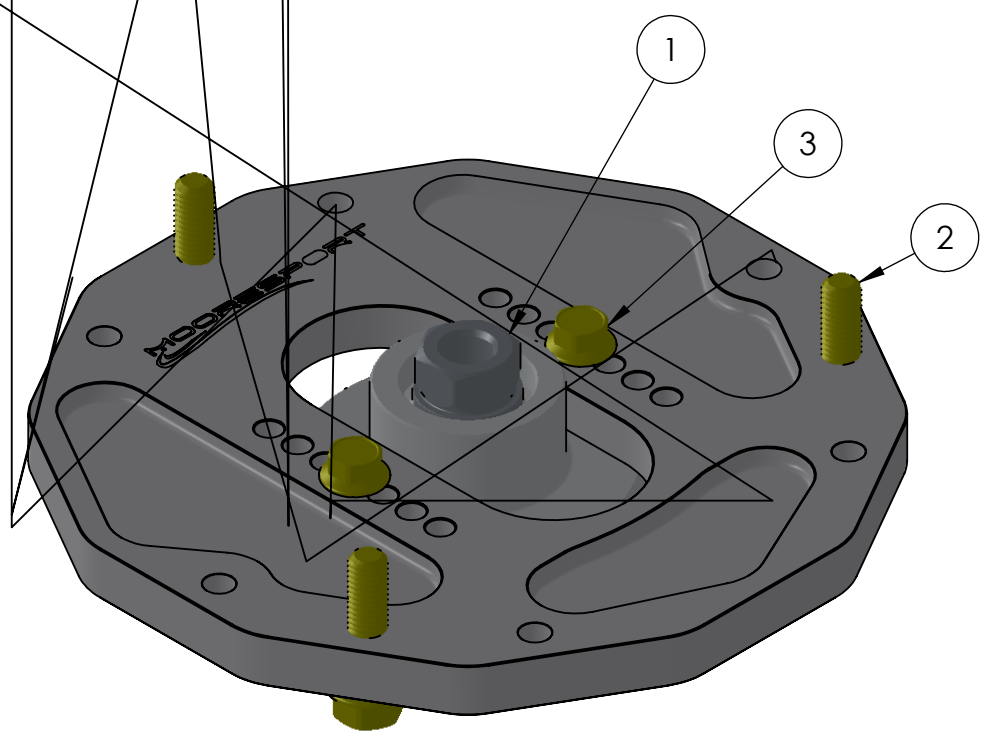


INSTALLATION INSTRUCTIONS

NO.	DESCRIPTION	Nm	Ft/Lb
<i>Use a temporary thread retainer such as Loctite #609</i>			
1	m12 Tube Nut to shock pin	47	34
2	m8 Flange Bolt to mounting plate	18	13
3	m6 aduster plate lock bolt	7	5



180
140
100
60
20

THE INFORMATION CONTAINED IN THIS DRAWING IS THE SOLE PROPERTY OF MSI (Moore-Sport INC). ANY REPRODUCTION IN PART OR AS A WHOLE IS STRICTLY PROHIBITED.



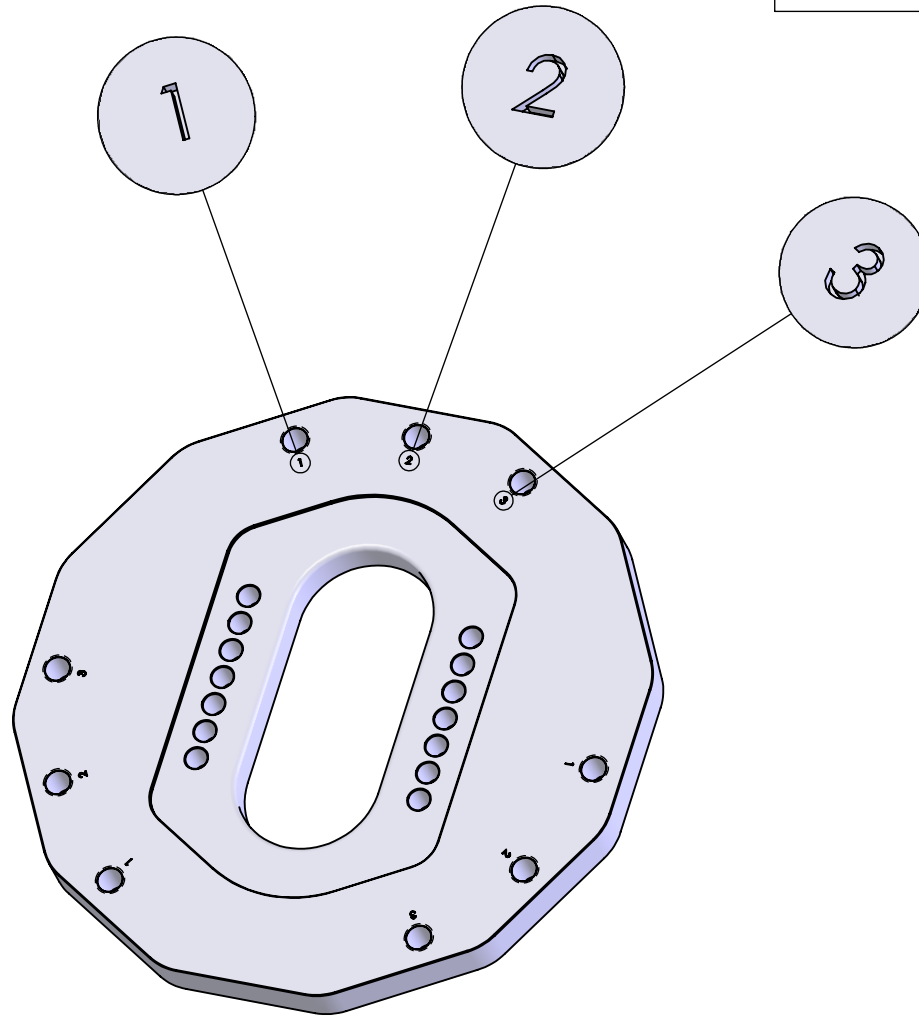
GR Front Street Camber Plate

CAR MODEL	GR	CONFIGURATION:	ASSEMBLY:	REV	10/05/2016
APPLICATION	Street	As Installed	MSIsub02-19-001	3	SHEET 2 OF 4

260 220 180 140 100 60 20

INSTALLATION INSTRUCTIONS

POSITION	USE
1	RH Camber/Caster
2	RH/LH Camber Only
3	LH Camber/caster



THE INFORMATION CONTAINED IN THIS DRAWING IS THE SOLE PROPERTY OF MSI (Moore-Sport INC). ANY REPRODUCTION IN PART OR AS A WHOLE IS STRICTLY PROHIBITED.



Front GR Top Mounts

CAR MODEL	GR	CONFIGURATION:	Default	ASSEMBLY:	MSIsub02-19-001A	REV	5	10/05/2016
APPLICATION	Street / Motorsport							SHEET 3 OF 4

260

220

180

140

100

60

20