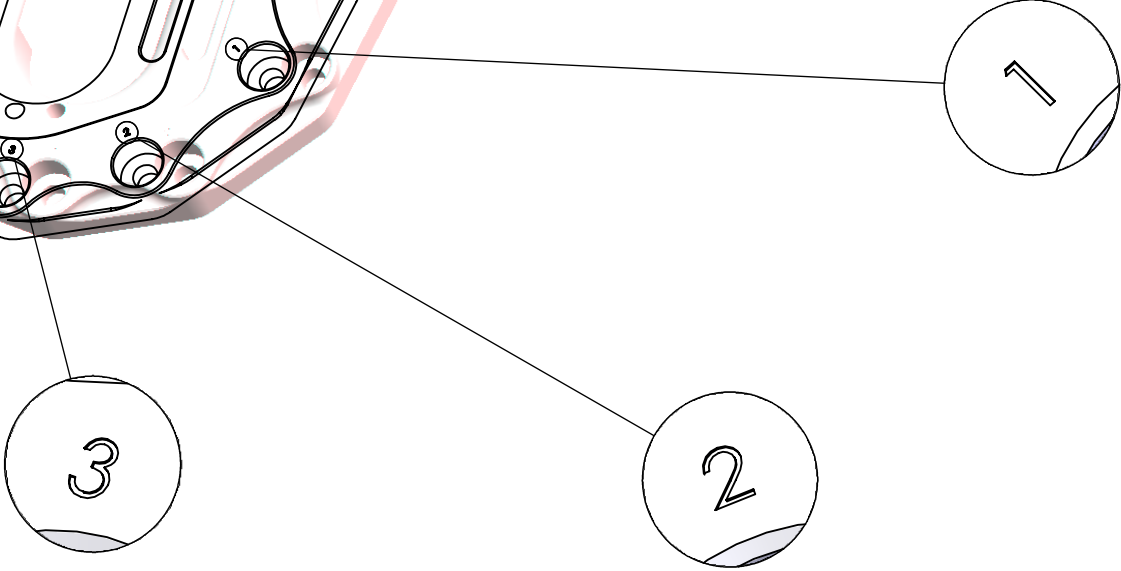
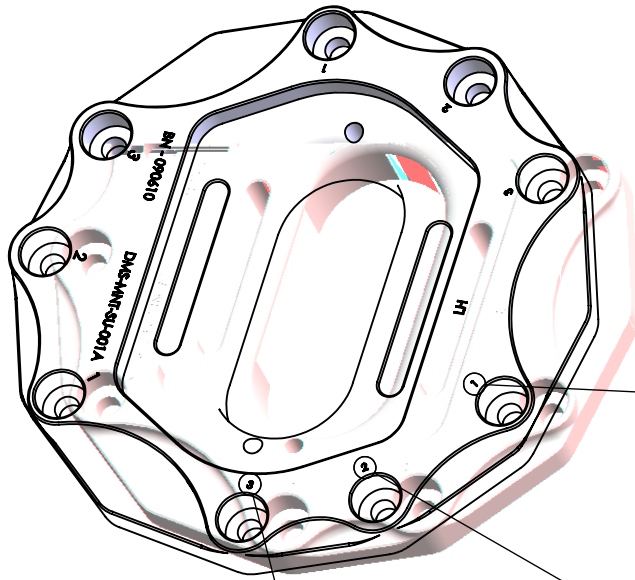


INSTALLATION INSTRUCTIONS

POSITION	USE	COMPATIBILITY
1	GC Camber	Subaru Impreza 1993-2001 Subaru Forester 1998-2005 Subaru Legacy 1990-1999 Subaru BRZ/Scion FR-S 2013+
2	GD Camber GC Camber/Caster	Subaru Impreza 1993-2001 Subaru Forester 1998-2005 Subaru Legacy 1990-1999 Subaru BRZ/Scion FR-S 2013+ Subaru Impreza 2002-2007
3	GD Camber/Caster	Subaru Impreza 2002-2007



Compatible with Impreza 2008+ and Legacy 2001+

THE INFORMATION CONTAINED IN THIS DRAWING IS THE SOLE PROPERTY OF MSI (Moore-Sport INC). ANY REPRODUCTION IN PART OR AS A WHOLE IS STRICTLY PROHIBITED.

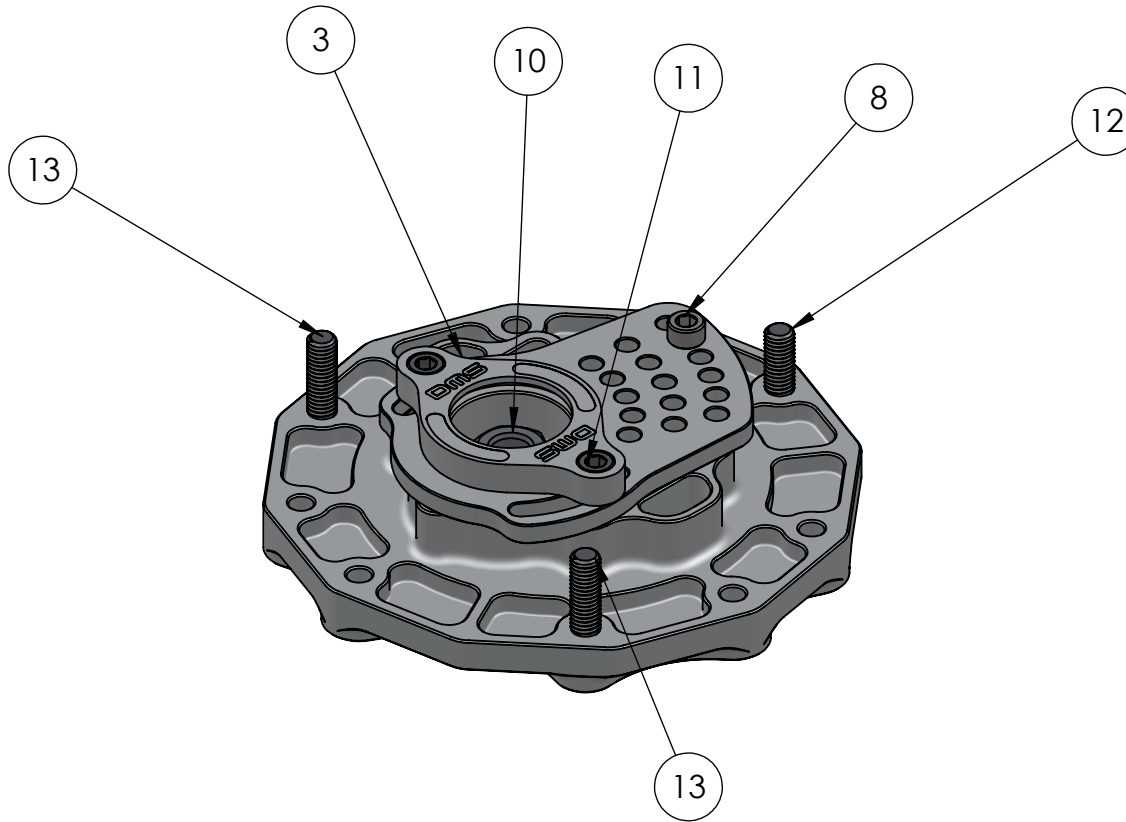


DMS LH Top Mount GD

CAR MODEL	Subaru Impreza GD	CONFIGURATION:	ASSEMBLY:	REV	07/06/2016
APPLICATION	Street / Motorsport	As Machined	DMS-MNT-SU-001a	6	SHEET 2 OF 7

INSTALLATION INSTRUCTIONS

NO.	DESCRIPTION	Nm	Ft/Lb
<i>(Use a temporary thread retainer such as Loctite #609)</i>			
1	m12 Tube Nut to shock pin	47	34
2	m8 SS Cap Screw to mounting plate	18	13
3	m6 aduster plate lock bolt	7	5
4	m6 bearing housing bolt	7	5



THE INFORMATION CONTAINED IN THIS DRAWING IS THE SOLE PROPERTY OF MSI (Moore-Sport INC). ANY REPRODUCTION IN PART OR AS A WHOLE IS STRICTLY PROHIBITED.

Front Adjustable Top Mount



CAR MODEL	Subaru Impreza < 2007	CONFIGURATION:	ASSEMBLY:	REV	08/06/2016
APPLICATION	Street / Motorsport	LH Assembly	DMS-mnt-su-001	6	SHEET 3 OF 7

260

220

180

140

100

60

20

180

140

100

60

20

