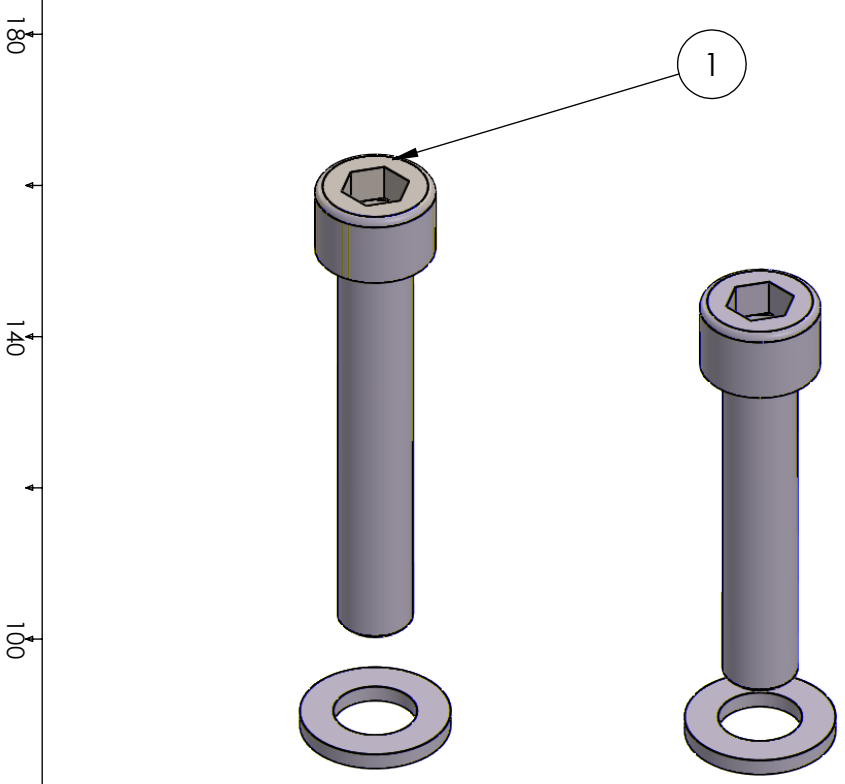


# Torque Values

NO.	DESCRIPTION	Nm	Ft/Lb
<i>*Use a temporary thread retainer such as LocTite #609</i>			
1	m10 Bolt to Subframe	85	62.7



THE INFORMATION CONTAINED IN THIS DRAWING IS THE SOLE PROPERTY OF MooreSport Inc. ANY REPRODUCTION IN PART OR AS A WHOLE IS STRICTLY PROHIBITED.



## PS Rack solid bushing kit

<b>CAR MODEL</b>	2015+ Impreza (VA Chassis)	<b>ASSEMBLY:</b>
<b>APPLICATION</b>	Motorsport ONLY	

**MSIsub05-30-010**

<b>REV</b>	05/12/2019
<b>1</b>	SHEET 2 OF 2