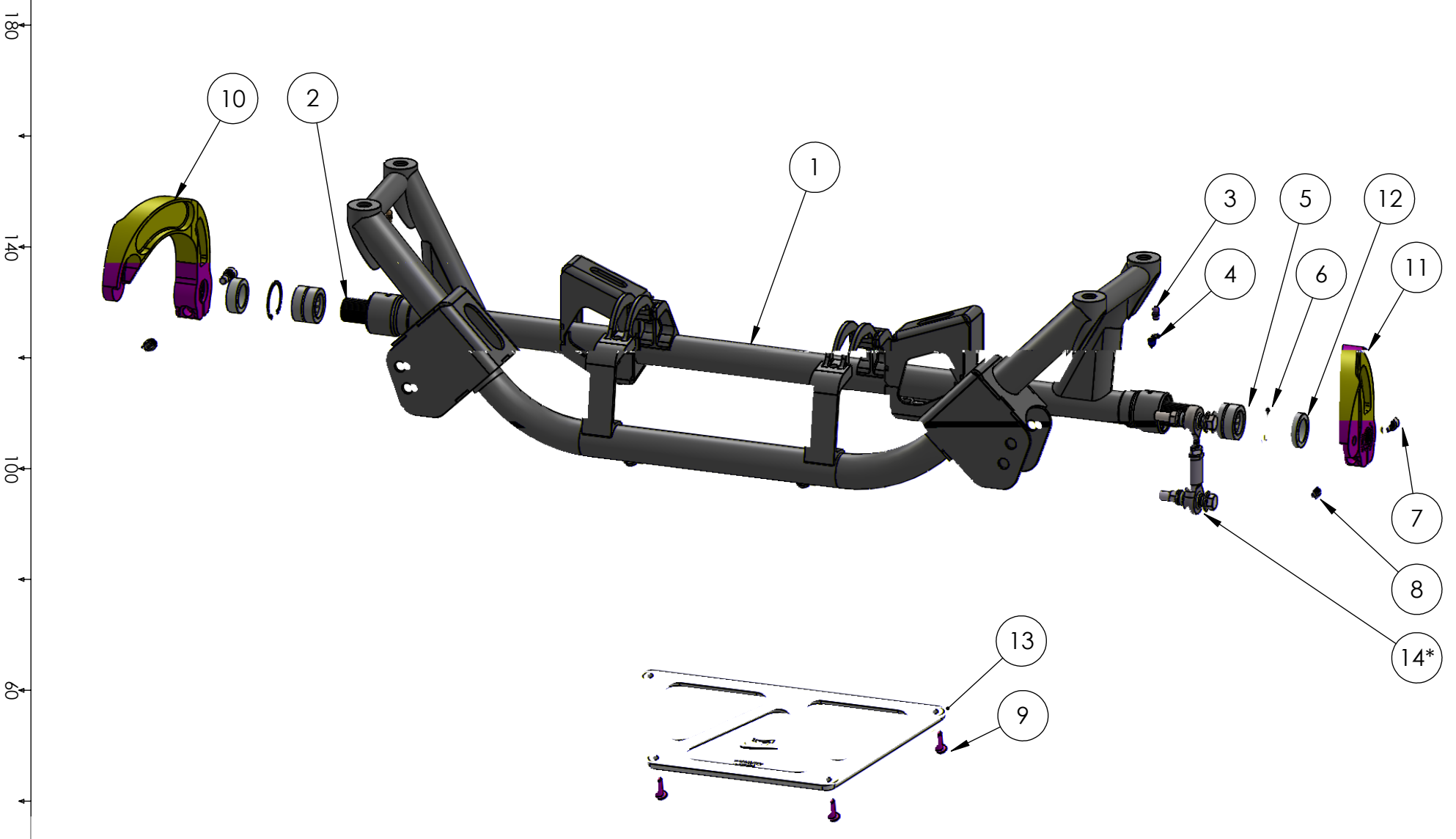


BOM FOR ASSEMBLY



** Seperate BOM Number*

THE INFORMATION CONTAINED IN THIS DRAWING IS THE SOLE PROPERTY OF MSI (Moore-Sport INC). ANY REPRODUCTION IN PART OR AS A WHOLE IS STRICTLY PROHIBITED.



Front Subframe - No PSR Fitting / Parts

CAR MODEL	Impreza	CONFIGURATION:	ASSEMBLY:	REV	25/02/2020
APPLICATION	Street / Motorsport	Base Model	MSIsub05-28-005-ASSY	1	16779.121

260 220 180 140 100 60 20

BOM FOR ASSEMBLY

NO.	PART NUMBER	DESCRIPTION	QTY.
1	MSIsub05-28-004	Painted Front Subframe Assembly	1
2	MSI-MTRSPRT-02-001e-1	1"x48 spline 39" Sway Bar .095" wall	1
3	MC-1105K71	Grease Zert	2
4	MC-1098k14	Grease Zert Dust Cap	2
5	MC-8258K24	1"ID Needle Bearing	2
6	MSI-bearing-003a	38mm Bearing Circlip	2
7	MSI-M8x1.25x20-BLCS	Black Oxide Cap Screw	2
8	MC-90245A173	Keylock M12x1.25 - M8x1.25	2
9	MSI-m10x1.25x20-ALBH	m10 x 1.25 x 20mm Button Head	4
10	MSIsub05-28-005u-LH	LH Sway Bar Link	1
11	MSIsub05-28-005u-RH	RH Sway Bar Link	1
12	MSIsub05-28-005j	Swaybar spacer	2
13	MSIsub05-28-005w	Lower Plate	1
14*	MSI-MTRSPRT-02-002	Motorsport End Link Set	1
	<i>S-10665</i>	<i>Shipping Box 40" x 12" x 12"</i>	

THE INFORMATION CONTAINED IN THIS DRAWING IS THE SOLE PROPERTY OF MSI (Moore-Sport INC). ANY REPRODUCTION IN PART OR AS A WHOLE IS STRICTLY PROHIBITED.



Front Subframe - No PSR Fitting / Parts

CAR MODEL	Impreza	CONFIGURATION:	ASSEMBLY:	REV	1	25/02/2020
APPLICATION	Street / Motorsport	Base Model	MSIsub05-28-005-ASSY			16779.121