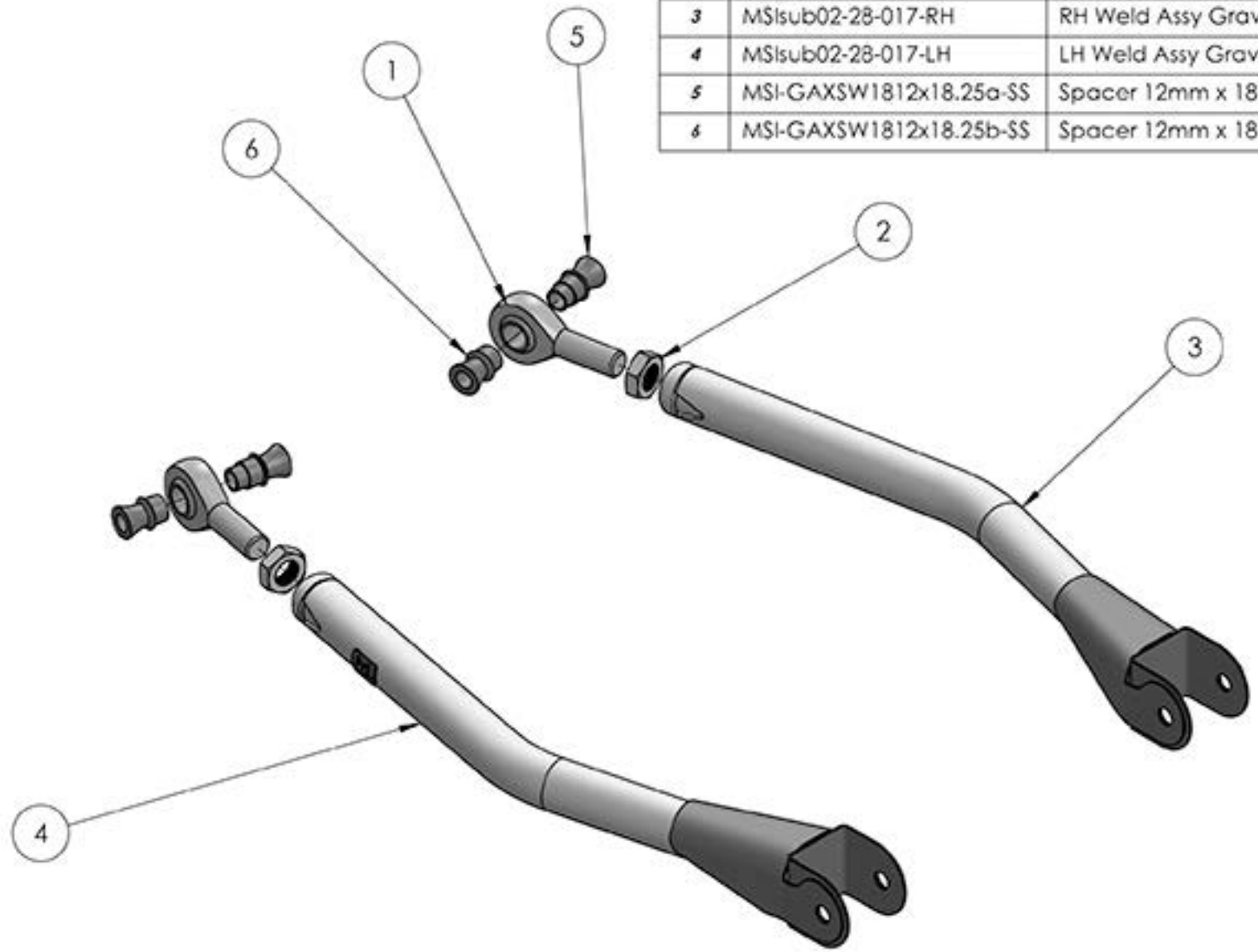


BOM FOR ASSEMBLY

NO.	Part Number	DESCRIPTION	QTY.
1	MSI-BEARING-012A-18	Fluro GAXSW 18 MS Rod end	2
2	MSI-m18x1.5-CZJN	m18 Clear Zinc jam nut	2
3	MSIsub02-28-017-RH	RH Weld Assy Gravel Trailing Arm	1
4	MSIsub02-28-017-LH	LH Weld Assy Gravel Trailing Arm	1
5	MSI-GAXSW1812x18.25a-SS	Spacer 12mm x 18.25 tall (A)	2
6	MSI-GAXSW1812x18.25b-SS	Spacer 12mm x 18.25 tall (B)	2

180
140
100
60
20



THE INFORMATION CONTAINED IN THIS DRAWING IS THE SOLE PROPERTY OF MooreSport Inc. ANY REPRODUCTION IN PART OR AS A WHOLE IS STRICTLY PROHIBITED.



Gravel Trailing Arm

CAR MODEL	Subaru GD
APPLICATION	Motorport ONLY

ASSEMBLY:

MSIsub02-28-017

REV 2

01/03/2017
SHEET 1 OF 2

260 220 180 140 100 60 20